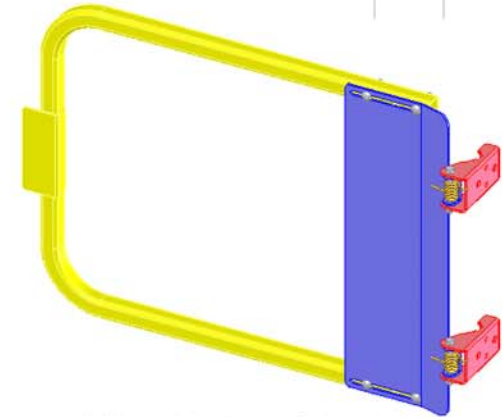
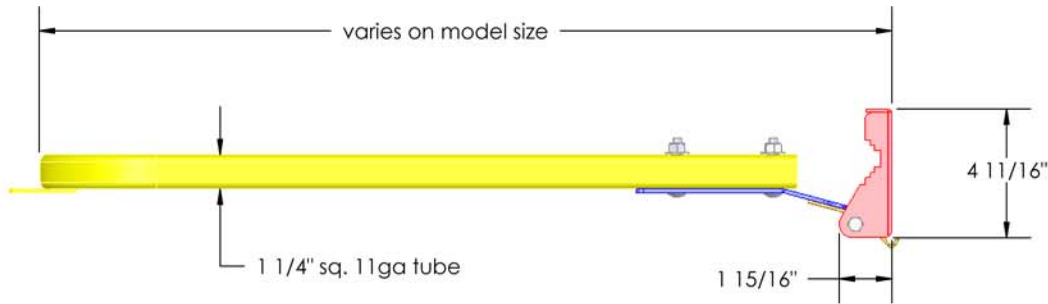
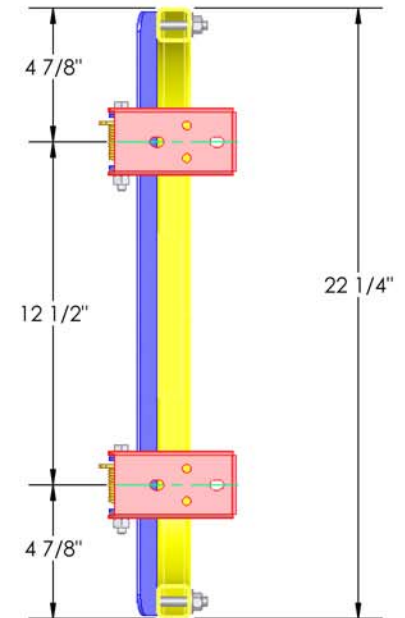
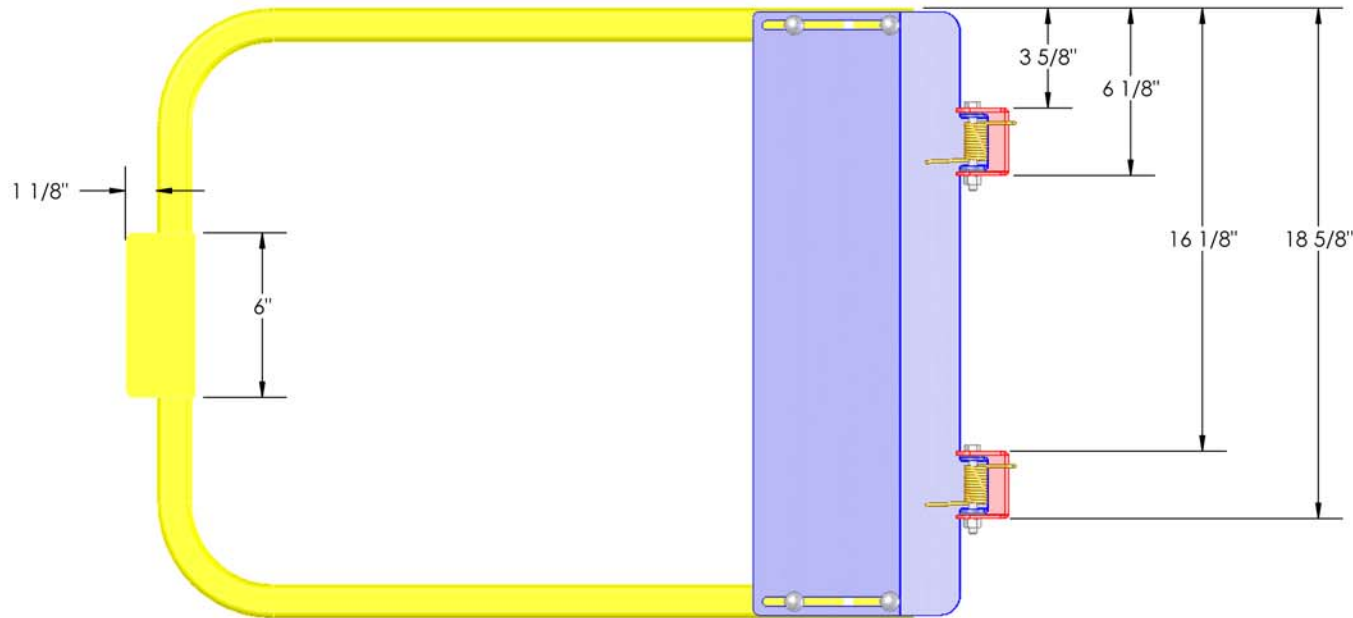


		REVISIONS			
ZONE	REV.	DESCRIPTION	DATE	APPROVED	



Finish on all ladder safety gates are to be one of the following:

- Powder coat safety yellow
- Hot dipped galvanized
- Stainless steel



SERIAL #:

DOOR NAME: PS Doors Ladder Safety Gate - hinge location

PART #:

This drawing is loaned with the expressed agreement that the drawing and information therein contained are the property of Production Specialties Corporation and will not be reproduced or copied in whole or in part nor used for the fabrication or construction of materials except upon the written permission of Production Specialties Corporation first obtained and specific as to use. The acceptance of this drawing will be construed as the acceptance of the foregoing agreement.

CUSTOMER: PS Doors

CUST ORDER #:

JOB NAME:

PS JOB #:

DWG BY: SJZ

CHECKED:

SCALE: 1:12

DATE:

12/7/2006

DATE:

12/7/2006

SHEET #: 1 OF 1

DWG #:

DATE: 12/7/2006

REV:

 **Safety Connection**  
FALL PROTECTION AND RESCUE SPECIALISTS  
(800) 480-3521  
www.safetyconnection.com